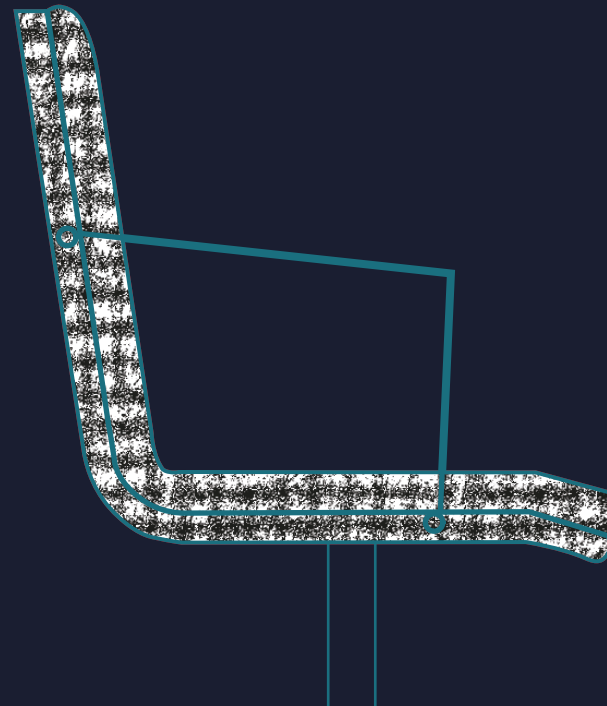
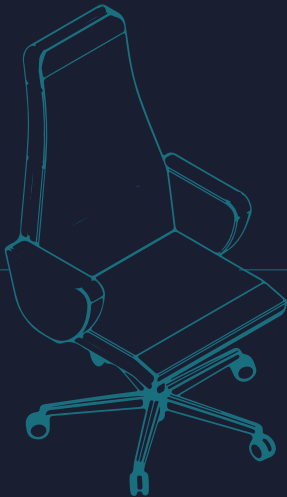




# F I C H A T É C N I C A

## DIVA



## Materials, Finishes & Quality

- High quality wood structures from European beech.
- Seat and backrest with high quality molded foam fire-retardant, with high recovery capacity and good adapting performance.
  - Foam H.Q. Materialfilling
  - Ecological and resilient. Guaranteed to last with appropriate use.

### Certifications :

Density kg / m<sup>3</sup> (ISO 845). Compression strength (ISO 3386/1). Elongation (ISO 1798). Tensile strength (ISO 1798). Deformation remaining (ISO 1856 / A).

- Upholstery: Upholstered in different high quality materials:

#### 1. Natural leather:

Hides are carefully selected among the best quality European rawhides. Pigmentation unifies the surface and masks natural hallmarks offering the optimum cutting yield and the pigmented finish also provides a soft feel and ensures extra protection against UVA and rub. The anti-stain finish combines warmth to the touch and easy maintenance.

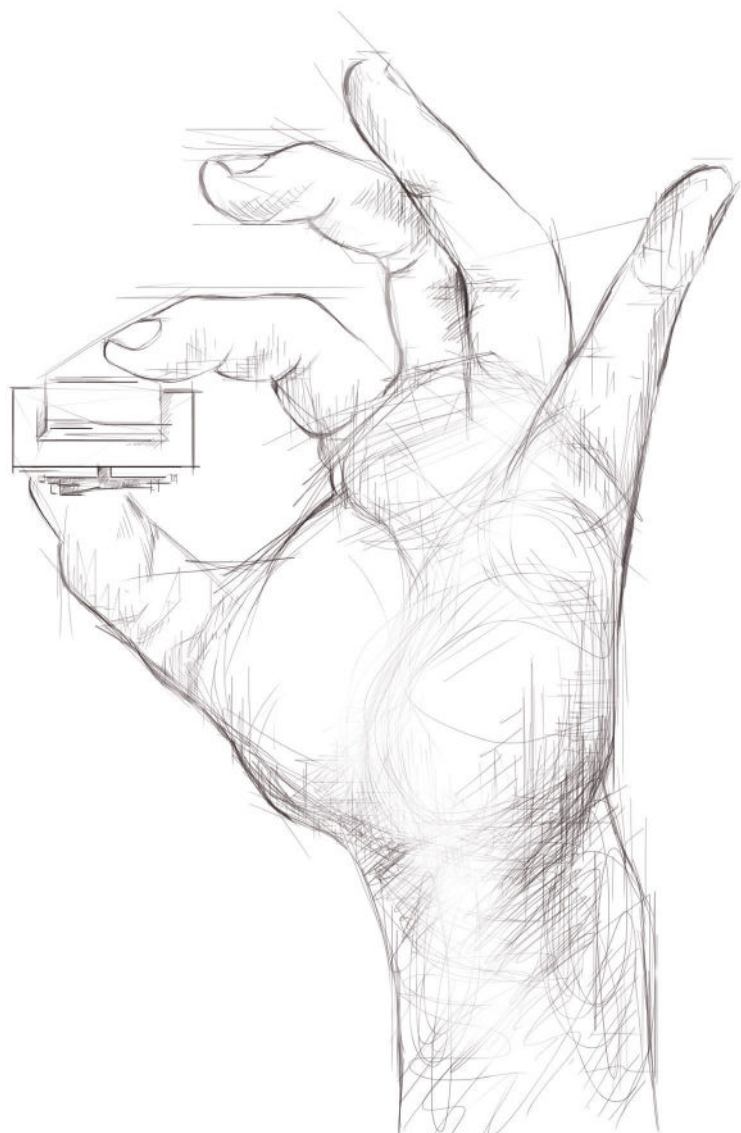
#### Certifications:

Rub fastness : Dry (EN ISO 11640 / EN ISO 11641- Wet : EN ISO 11640 / EN ISO 11641). Light fastness (EN ISO 105 -B02). Tear propagation strength (EN 3377-1). Adhesion of finish (ISO 11644). Flammability (UNE EN ISO 1021-2)

#### 2. Tech Leather:

- a. Superior abrasion 300.000 cycles MARTINDALE
- b. Flame retardancy : EN ISO 1021 Part5 1 & 2

- Unique packaging in reticulated polyethylene foam. Triple layer of laminate polyethylene with hermetic bubbles 5x5 and density of 5400 bubbles/m<sup>2</sup>. Corner protectors of high density reticulated polyethylene foam and cardboard box made to fit.



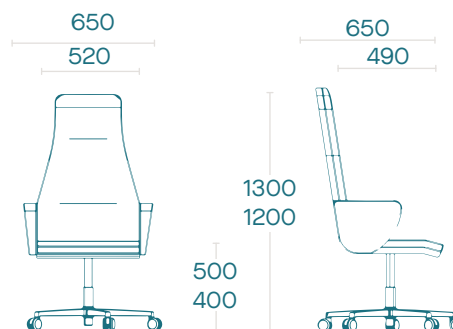
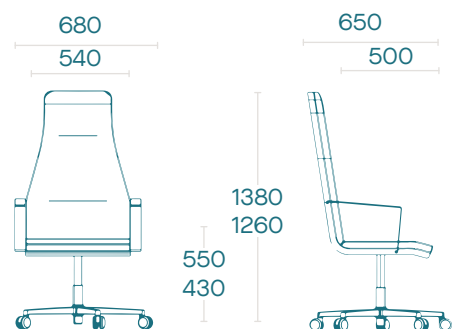
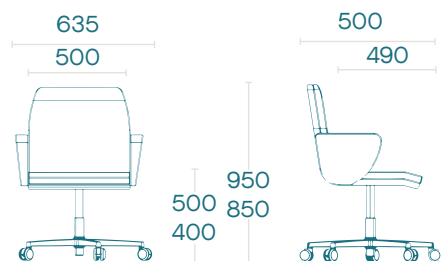
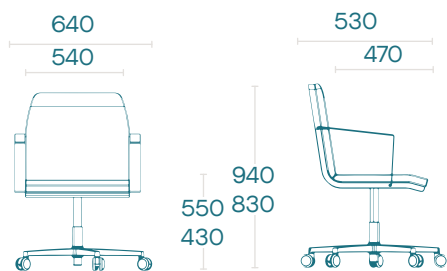
UNE-EN ISO  
9001:2015

UNE-EN ISO  
14001:2015

# DIVA CHAIR

## TECHNICAL PRESENTATION

### Dimensions in mm



- **Mechanism:** Height regulation. Tilting chromed mechanism off-center with reading position or non-return locking
- **Upholstery:** upholstered in full grain leather, natural genuine leather, highly resistant leather imitations or in other fabric finishes.
- **Base:** swivel base made of injected aluminum, polished to achieve a smooth finish. Castors or glides.
- **Backrest:** 2 heights
- **Armrests:** upholstery or chromed with upholstered armrests.



**DIVA CHAIR**  
**MODELS**





# DIVA CHAIR FINISHES

leather

## Full Grain Leather - S900

902	937	920
904	942	924
911	947	927
913	950	934
915	903	940
923	908	945
925	912	949
928	914	951

## Natural Leather - S100

147	103	131
109	179	139
121	136	142
145	126	115
		125

## ECO - Leather Valencia

4001	0020	0020
8032	2020	2020
1048	6012	6012
1049	6019	6019
1001	2075	2075
0002	3067	3067
1050	2062	2062
0035	3001	3001
0033	3069	3069

# DIVA CHAIR FINISHES

fabric

## Blazer collection



## Main Line Flax collection

