

Top management chair

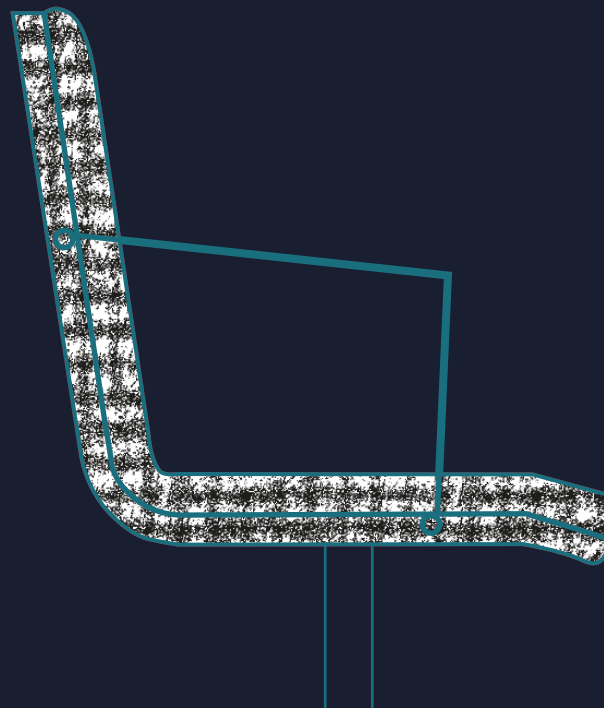
TECHNICAL FILE



LAMBDA3
INSPIRANDO ESPACIOS DE TRABAJO



Divva



Materials, Finishes & Quality

- High quality wood structures from European beech.
- Seat and backrest with high quality molded foam fire-retardant, with high recovery capacity and good adapting performance.
 - Foam H.Q. Materialfilling
 - Ecological and resilient. Guaranteed to last with appropriate use.

Certifications :

Density kg / m³ (ISO 845). Compression strength (ISO 3386/1). Elongation (ISO 1798). Tensile strength (ISO 1798). Deformation remaining (ISO 1856 / A).

- Upholstery: Upholstered in different high quality materials:

1. Natural leather:

Hides are carefully selected among the best quality European rawhides. Pigmentation unifies the surface and masks natural hallmarks offering the optimum cutting yield and the pigmented finish also provides a soft feel and ensures extra protection against UVA and rub. The anti-stain finish combines warmth to the touch and easy maintenance.

Certifications:

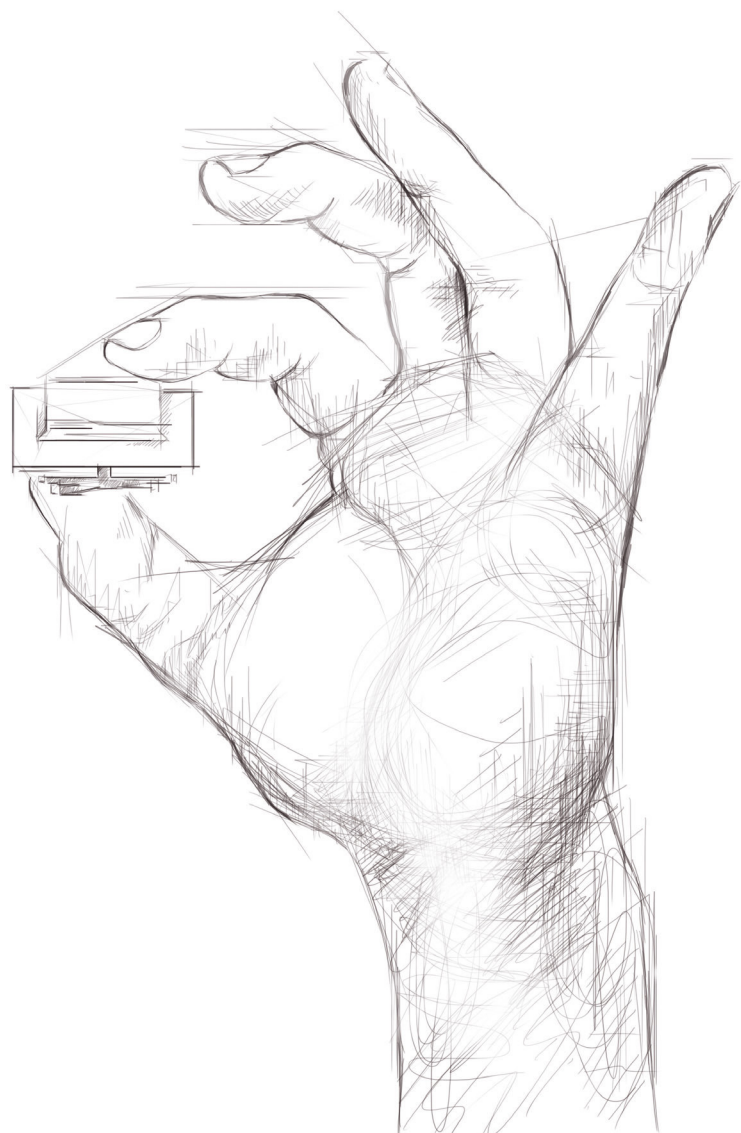
Rub fastness : Dry (EN ISO 11640 / EN ISO 11641- Wet : EN ISO 11640 / EN ISO 11641). Light fastness (EN ISO 105 -B02). Tear propagation strength (EN 3377-1). Adhesion of finish (ISO 11644). Flammability (UNE EN ISO 1021-2)

2. Tech Leather:

a. Superior abrasion 300.000 cycles MARTINDALE

b. Flame retardancy : EN ISO 1021 Part5 1 & 2

- Unique packaging in reticulated polyethylene foam. Triple layer of laminate polyethylene with hermetic bubbles 5x5 and density of 5400 bubbles/m2. Corner protectors of high density reticulated polyethylene foam and cardboard box made to fit.



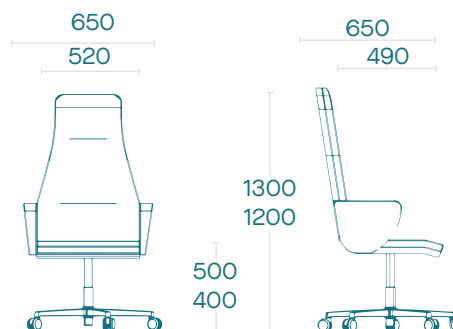
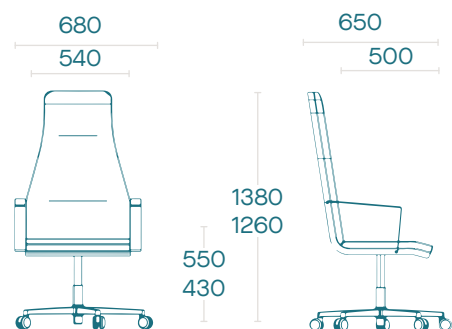
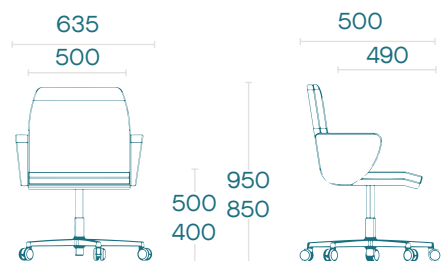
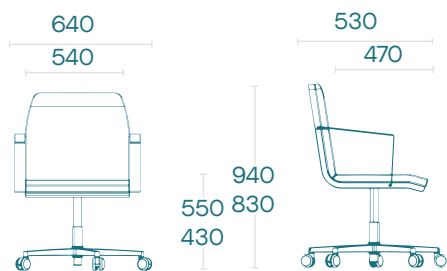
UNE-EN ISO
9001:2015

UNE-EN ISO
14001:2015

DIVA CHAIR

TECHNICAL PRESENTATION

Dimensions in mm



- **Mechanism:** Height regulation. Tilting chromed mechanism off-center with reading position or non-return locking
- **Upholstery:** upholstered in full grain leather, natural genuine leather, highly resistant leather imitations or in other fabric finishes.
- **Base:** swivel base made of injected aluminum, polished to achieve a smooth finish. Castors or glides.
- **Backrest:** 2 heights
- **Armrests:** upholstery or chromed with upholstered armrests.



DIVA CHAIR
MODELS





DIVA CHAIR FINISHES

leather

Full Grain Leather - S900

902	937	920
904	942	924
911	947	927
913	950	934
915	903	940
923	908	945
925	912	949
928	914	951

Natural Leather - S100

147	103	131
109	179	139
121	136	142
145	126	115
		125

ECO - Leather Valencia

4001	0020	0020
8032	2020	2020
1048	6012	6012
1049	6019	6019
1001	2075	2075
0002	3067	3067
1050	2062	2062
0035	3001	3001
0033	3069	3069

DIVA CHAIR
FINISHES

fabric

Blazer collection



Main Line Flax collection



