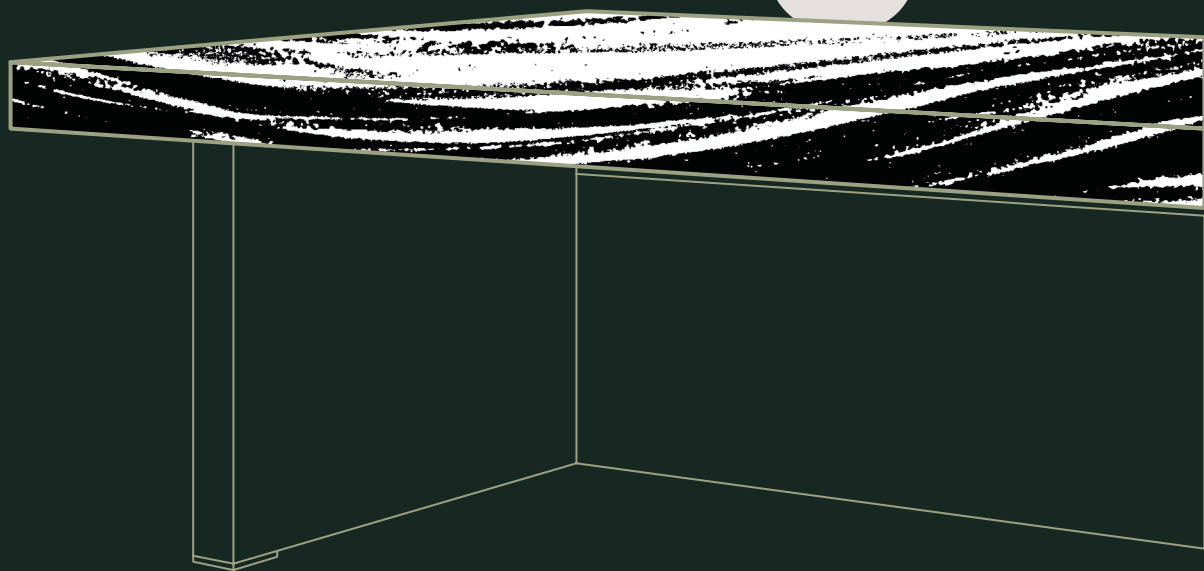


presidential desk  
TECHNICAL FILE



# Touring



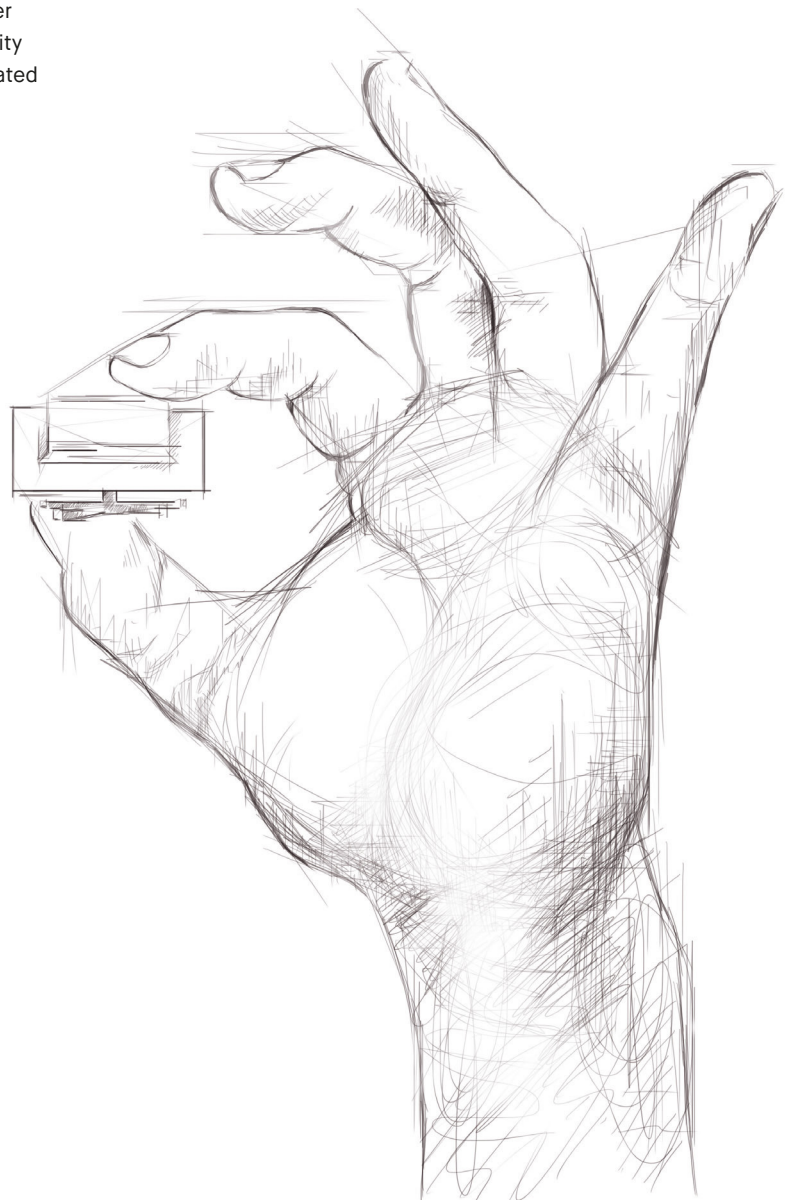
## Materials, Finishes & Quality

- Table top core is MDF Mediland quality LP classified as Class E1 according to European norm EN 622-1:2003 and density between 600-620KGS/m<sup>3</sup> which is maximum in furniture appliance.
- To achieve the piano lacquer finish a thick layer of lacquer is applied which afterwards goes through a 10 days manual polishing process with wool.
- All pieces come with three layers of polish with **sanding by hand** between each layer to achieve an optimal smooth adherence and durability.
- The wooden parts are all **polished** with lacquers of polyurethane with high content of solids to build a greater hardness without losing the sensation of the wooden touch.
- The decorating elements are made by **laser cut stainless steel** finished by hand.
- The structures are made of steel given an **exclusive treatment** which consist of niquel bath, lacquered and polished by hand.
- All tables are **finished by hand**, pre-assembled in the factory, numbered one by one to guarantee a perfect assembly for the final client.
- **Unique packaging** in reticulated polyethylene foam, triple layer of laminate polyethylene with hermetic bubbles 5x5 and density of 5400 bubbles/m<sup>2</sup>, corner protectors of high density reticulated polyethylene foam and cardboard box made to fit.



UNE-EN ISO  
9001:2015

UNE-EN ISO  
14001:2015

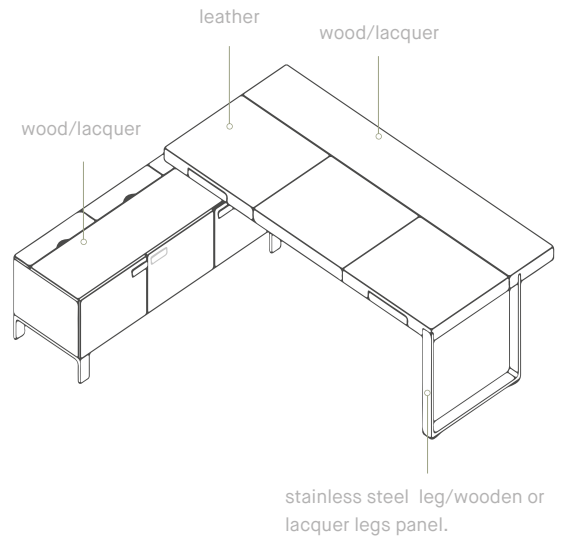


# TOURING

## TECHNICAL PRESENTATION

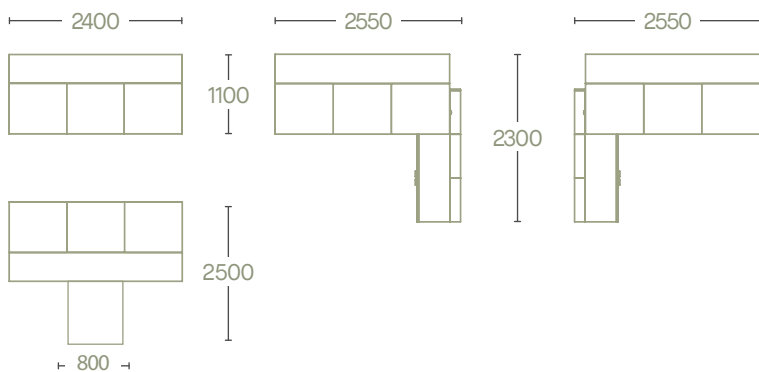
### Presidential desk

- Desk made with **MDF top** with interior reinforced steel structure top with steel tubes of 40 x 30 x 1,5 mm painted and protected against corrosion. The top incorporates a solid stainless steel piece of 240 x 85 mm.
- The desk with steel leg support, is always supported on a left/right credenza which elegantly solves all **cable management**. The desk with wooden leg support is available as free standing desk or supported on left/right side return. The desk has the **option of a long modesty panel in wood veneer or piano lacquer finish**.
- There are **two options** for lateral structure:
  - 1) Desk with lateral **steel structure** made through pure craftsmanship. This structure is made with steel tube which measures 20 x 80 mm (40 mm in thickest part) and it enters 60 mm into the 85 mm thick top laterally and in front part.
  - 2) **Wooden leg** of 80 mm of thickness.
- The desk incorporates 2 front drawers with space for DIN A 4 papers and pencils with veneer/leather finish. The top is available with **two or three natural leather pieces** in the cover area.
- Desk top with natural veneer or piano lacquered finish (white/black). It can also **be personalized** as especial request.

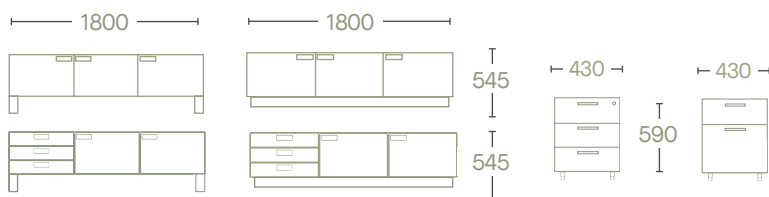


### Dimensions in mm

#### Office desks



#### Rerturn side credenzas



### Table top

#### Thickness



85

#### Shape



#### Finishes

Wood  
Lacquer  
Leather

### Structure

#### Shapes



80



80

#### Finishes

Lacquer or wood

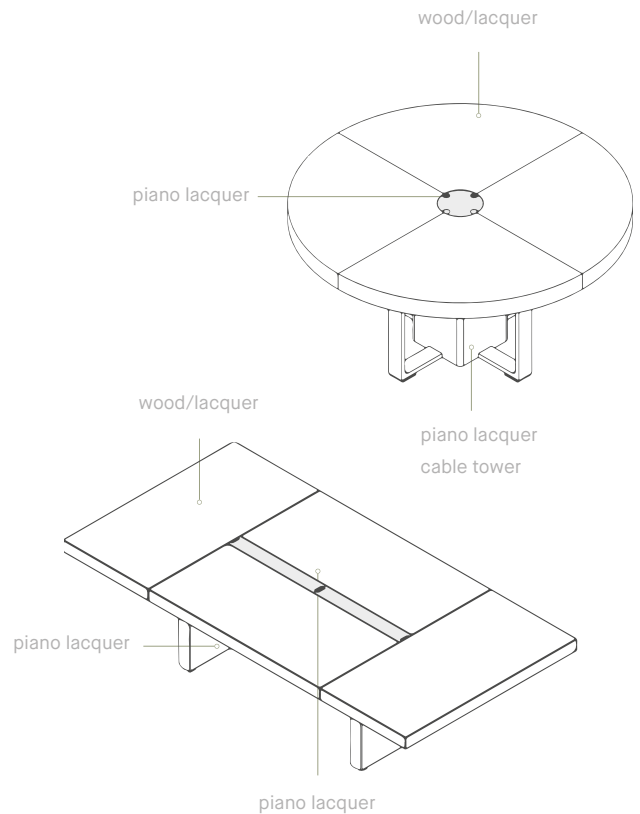
Stainless steel

# TOURING

## TECHNICAL PRESENTATION

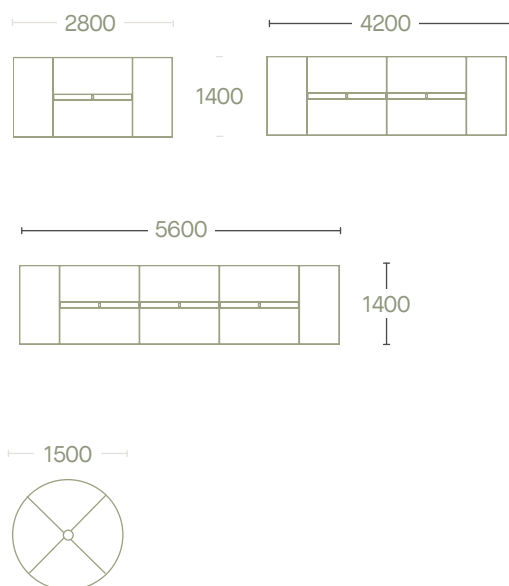
### Meeting table

- Conference table made of **MDF top with interior reinforced steel structure top** with steel tubes of 40 x 30 x 1,5 mm painted and protected against corrosion.
- Conference table top with natural venner or piano lacquer finish (white/black). It can be **personalized** as a special request.
- The conference tables have 100% **cable management** through central wiring channel in top, which comes with piano lacquered MDF cover and legs which are all accessible for the vertical cable management finished in black/white piano lacquer.
- **The round conference table has an optional cable tower** in shiny lacquered finish for the vertical cable management.



### Dimensions in mm

#### Meeting tables



### Table top

#### Thickness



#### Shape



#### Finishes

Wood  
Lacquer

### Structure

#### Shapes



#### Finishes

Wood option  
Lacquer



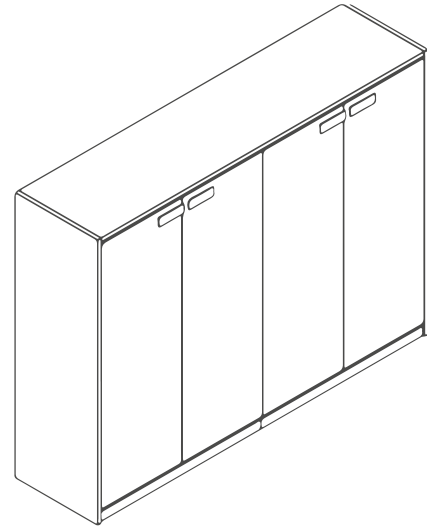
## TOURING

### TECHNICAL PRESENTATION

#### LUXURY COLLECTION

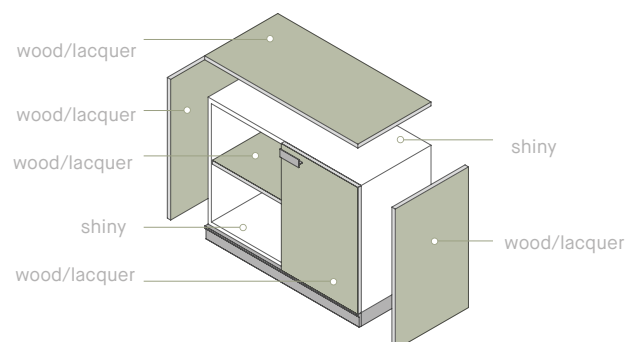
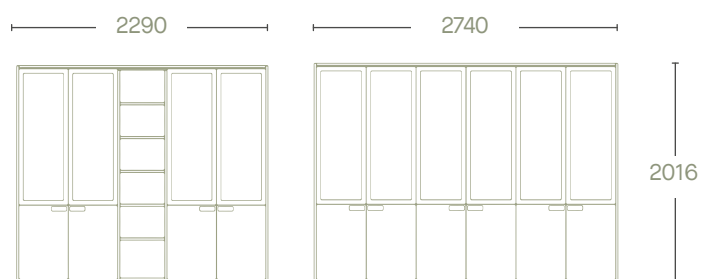
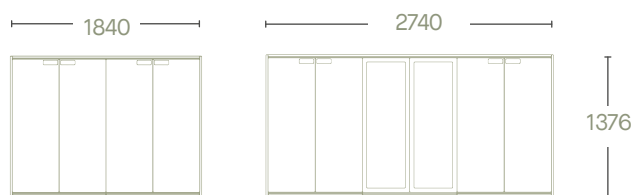
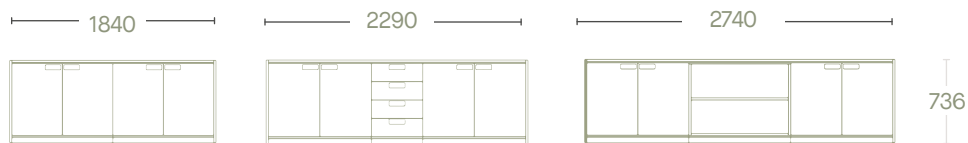
##### Credenzas & Bookcases

- Credenzas and bookcases from the **luxury collection** which are made with modules in black/white shiny lacquer with either wooden or piano lacquered shelves or doors. To finish the composition you need to finish with top and side panels.
- Modules are either open or closed with **wooden/piano lacquered doors** or **transparent glass doors** in aluminium profile.
- There is specific module which is prepared for **incorporation of refrigerator to make a bar module**. Credenzas offer the possibility of a module with 4 drawers.



#### Dimensions in mm

##### credenzas & bookcases compositions

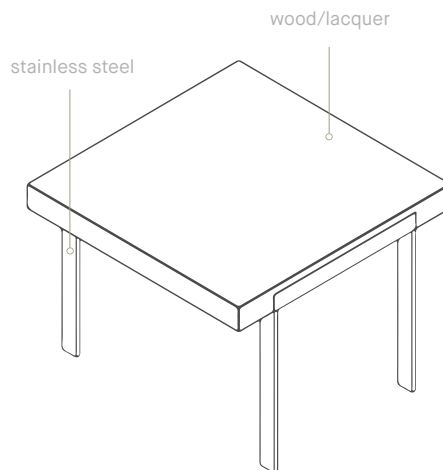


# TOURING

## TECHNICAL PRESENTATION

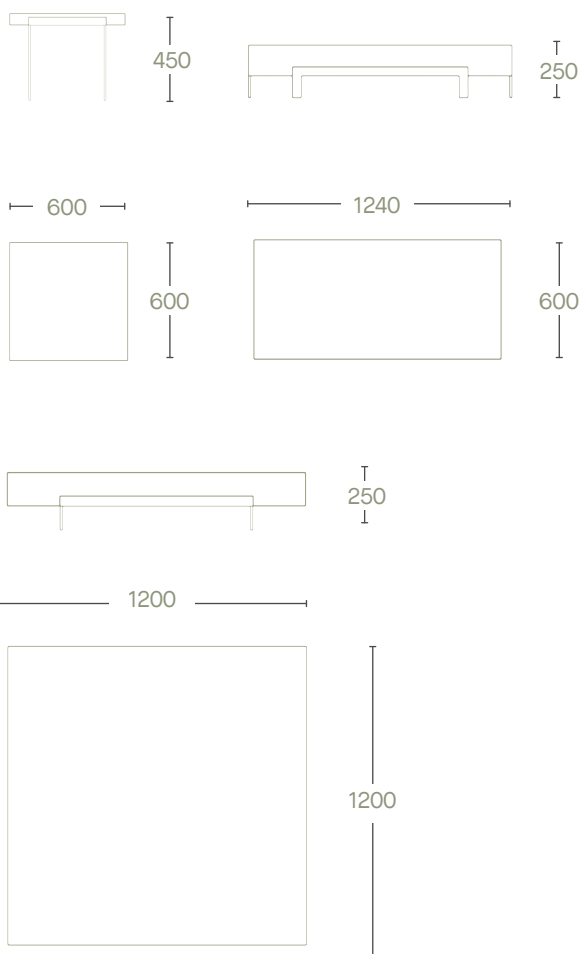
### Occasional tables

- Occasional table with **MDF top of 60 mm and 140 mm.**
- Coffee tables with **steel structure** in inox finish.
- Tops finished in **natural wood veneer** or white/white piano lacquer.



### Dimensions in mm

#### Coffee tables



### Table top

Thickness	Shape	Finishes
60		Wood Lacquer
140		

### Structure

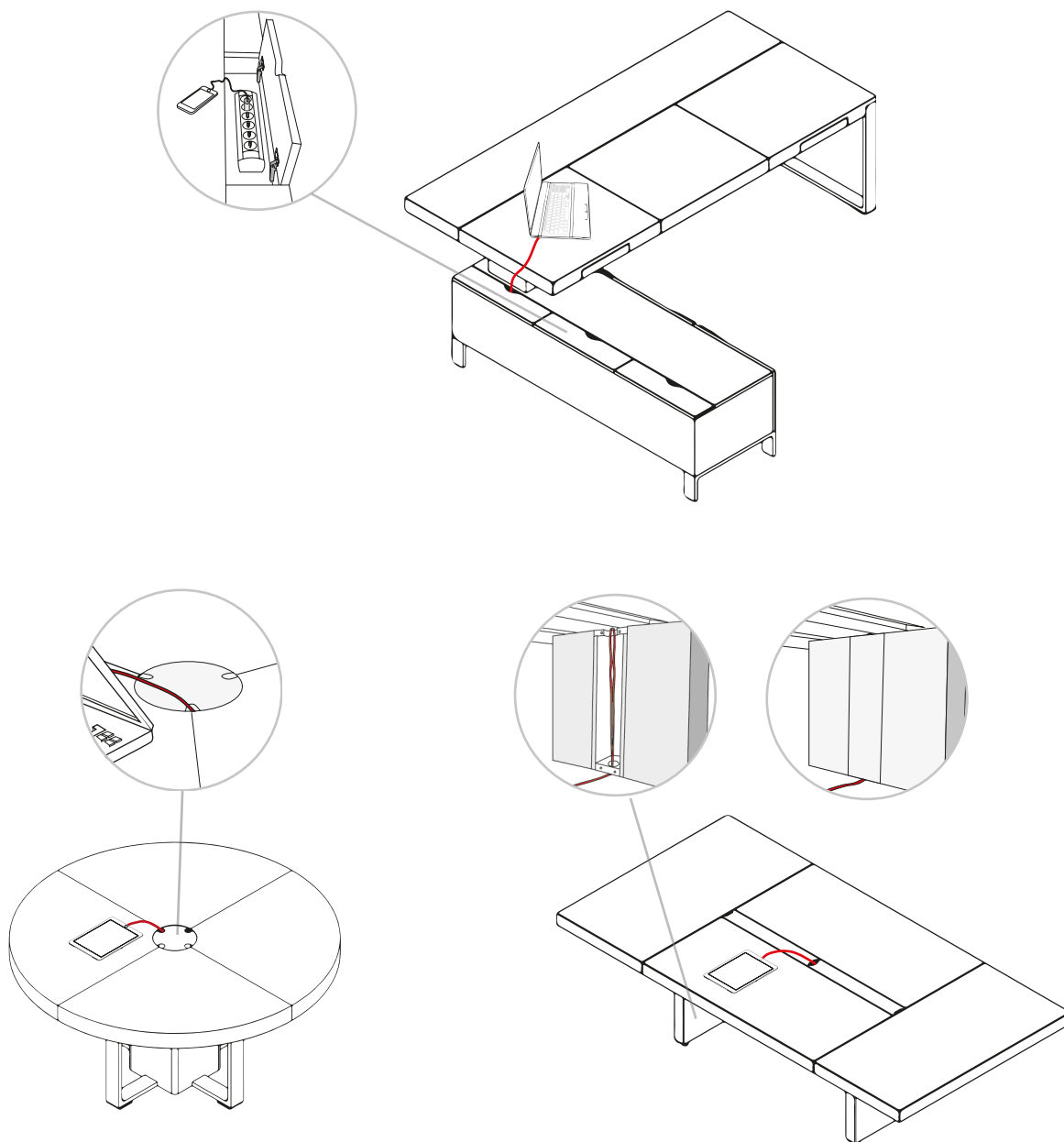
#### Finishes

Stainless steel

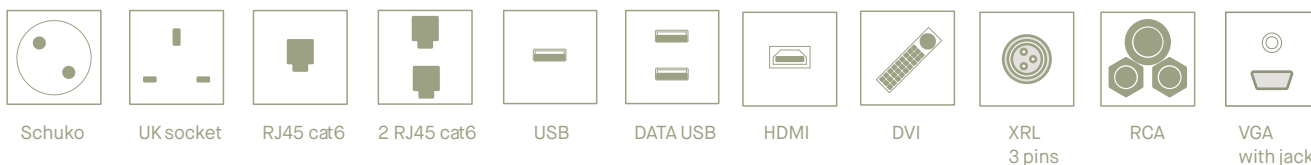
# TOURING

## CABLE MANAGEMENT

Presidential desk & meeting tables



### Powerstrip options - Power strip three positions



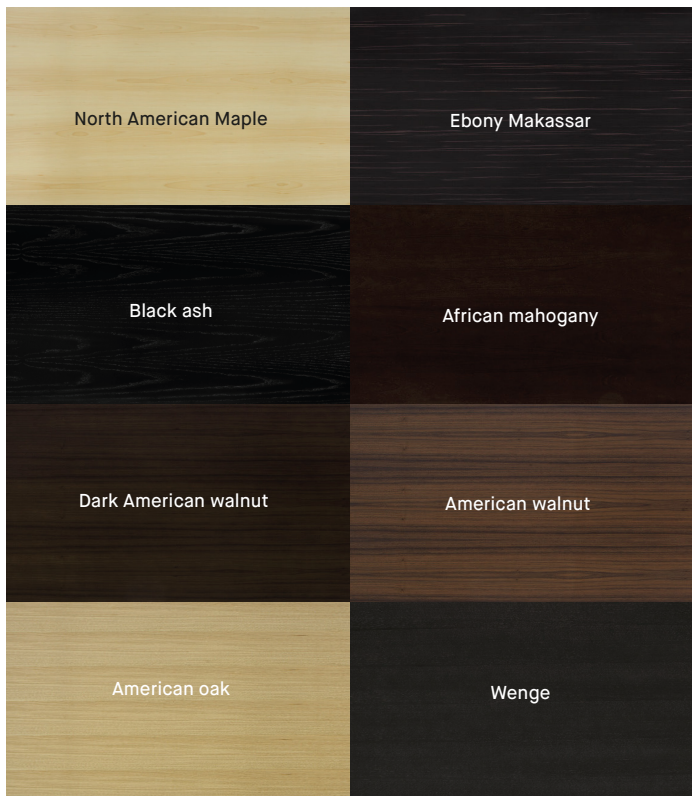




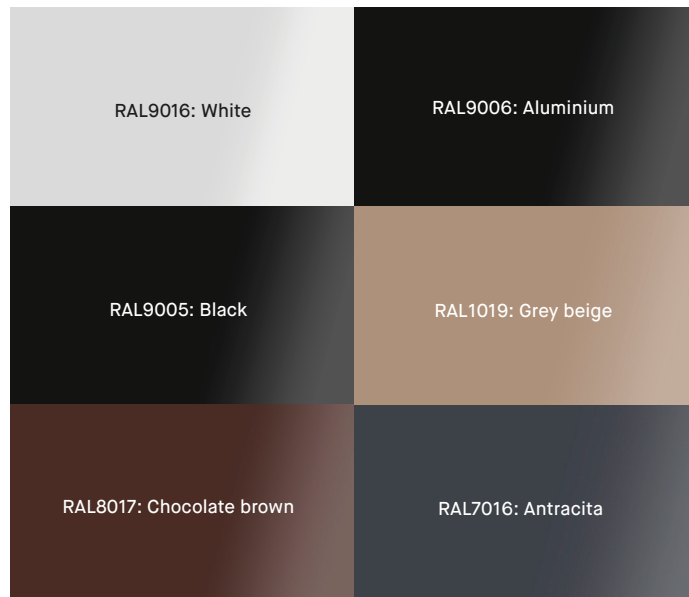


# TOURING FINISHES

## Wood



## Lacquer (matt / piano)



## Natural Leather - S100



## ECO leather - Valencia



