

LAST MINUTE by Patricia Urquiola 2006



Indoor & outdoor stool. Rotomoulded polyethylene seat and lacquered steel frame with stainless steel footrest.

Its structural design has become a contemporary classic

PATRICIA URQUIOLA



Patricia Urquiola was born in Oviedo (Spain) and currently lives and works in Milan.

She graduated from the Faculty of Architecture at the Technical University of Madrid in 1989, after completing a thesis with Achille Castiglioni. From 1990 to 1992, she was assistant lecturer to both Achille Castiglioni and Eugenio Bettinelli at the Milan Polytechnic and the E.N.S.C.I. in Paris.

Between 1990 and 1996, she worked in the new product development office of De Padova and, with Vico Magistretti, signing the products: “Flower”, “Loom sofa”, “Chaise” and “Chaise Longue”.

From 1993 to 1996, she worked with the architects de Renzio and Ramerino and was engaged in architectural design, showrooms, restaurants and franchising (Maska/ Italy, Tomorrowland Stores/Japan, Des Pres/France).

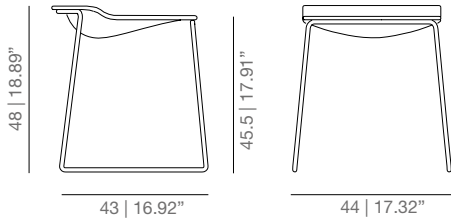
In 1996 she became head of the design department at Lissoni Associati, working for Alessi, Antares-Flos, Artelano, Boffi, Cappellini, Cassina and Kartell, among others.

Her products were selected for the Italian Design 2001 exhibition. In 2001 she was chair of the jury for the 19th CDIM Design Award and was lecturer at the Domus Academy.

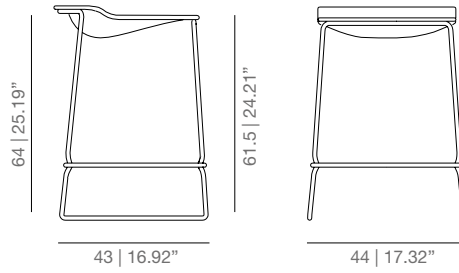
She is currently working in her own practice in Milan in the fields of design, exhibitions, art direction and architecture. Patricia Urquiola works for Alessi, B&B, Kartell, Molteni, Moroso, Coalesse and VICCARBE.

DIMENSIONS

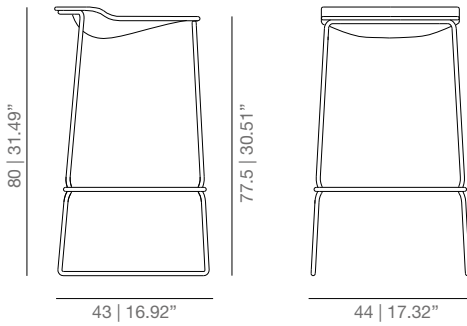
LMB low stool



LMM medium stool



LMA high stool



TECHNICAL INFO

Rotomolded polyethylene seat in black, white or sand colour or upholstered in fabric or leather.

Structure in calibrated powder coated steel in thermoreinforced polyester.

Footrest in stainless steel.

FINISHES

UPHOLSTERY

Check upholstery samples.

Polyethylene



White
RAL 9003



Black
RAL 9005



Sand
NCS 3005Y50R

STRUCTURE

Lacquered



White
RAL 9003



Black
RAL 9005



Sand
NCS 3005Y50R

CERTIFICATES

UNE 11010:5989
UNE EN 1022:96
UNE 11020-2:92
ANSI BIFMA X5.1.02





PROJECTS

AC Hotels | American Career College INC | ANZ Bank | Aurburn University | Australian Post | Bank of America | Citi Bank Headquarter | Clorox Co | Godiva Store | Google Mexico | Hertz Global Holdings Inc | Kaiser Foundation Health Plan | Mandarin Hotel | Microsoft Corporation | Muskat Bank | NZB Bank | Omnicom Group | Radison Hotels | Royal Dutch Shell Plc | Sabadell Atlantico Bank | Telus Corporation | Walgreen Company | Bank of Nova Scotia | Government of the United States | Texas Tech University System | S.U. La Nucia | La Seu Restaurant | Arola Restaurant | PortoSenso | P.R. House | Open Tennis VLC_2009 | Museo Principe Felipe | Open Tennis Valencia | La Nuba | Hotel Meliá Valencia | Hotel de la playa | GV Residence | Godiva Chocolate | E+J Residence | Blanco & Unoom | 39° 27N | 33rd America's Cup | Millenium Pharmaceuticals Massachusetts | University of Miami | Saint Mary Health Care | City National Bank | Bank of America | Microsoft Columbia | Oracle Colorado | Childrens Hospital & Medical Washington | Hertz Tennessee | BBVA Compass Bank | Central Michigan University | Mass Institute of Technology | NBS Commercial Interiors | Allstate Insurance | Harvard University | Time Warner Cable | Argonne National LAB | Microsoft California | Wells Fargo | Presence Helthcare | Auditorio y Palacio de Congresos de Castellón

www.lambdatres.com

LAMBDATRES, S.A.
C/ Laguna de Cameros, 8
28021 Madrid
Tlf.: 914479577
lambdatres@lambdatres.com

